

## Digital High Res Vandal Resistant Dome Camera



WDD-2965C

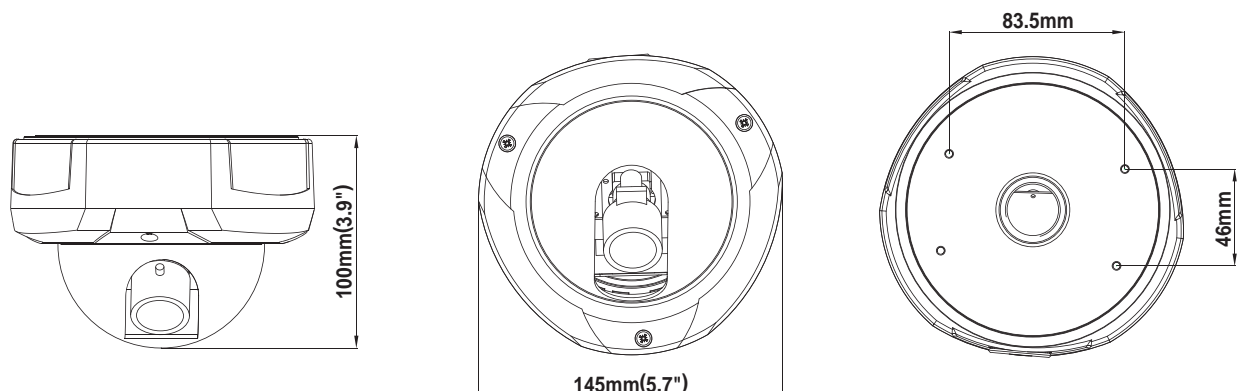
### MAIN FEATURES

- 1/3" Sony Super HAD CCD
- High Resolution of 600 TV Lines
- DC12V and AC24V Dual Voltage Camera
- User Friendly OSD Menu Control (Internal/ External)
- Vari-Focal 6 to 50mm Auto Iris Lens
- Vandal Resistant & Weatherproof Dome Camera (IP66)
- DNR (Digital Noise Reduction)
- Privacy Function
- Additional Functions (Sens-Up, Motion Detection, Mirror, Sharpness, Sync-INT/LL)

**WELDEX CAN CUSTOMIZE CAMERAS FOR YOUR SPECIFIC NEED!!**

# WDD-2965C (Digital High Res Vandal Resistant Dome Camera)

## DIMENSIONS



## SPECIFICATIONS

MODEL		WDD-2965C
Power Source & Operating Current		AC & DC Dual Power AC24V 130mA / DC12V 300mA
		DC Only DC12V 140mA
Power Source Tolerance		DC12V (Tolerance: 10V ~ 15V) / AC 24V (Tolerance: 19.6V ~ 28.8V) Regulated Power Input
Total Pixels		NTSC : 811(H) x 508(V) / PAL : 795(H) x 596(V)
Effective Pixels		NTSC : 768(H) x 494(V) / PAL : 795(H) x 596(V)
Scanning System		600 TV Lines - 2:1 Interlaced
Synchronization		INT / LL Selectable 0 ~ 359 (Adjustable)
		INT X
Frequency		NTSC (Horizontal:15.734Khz Vertical:59.94Hz), PAL (Horizontal:15.625Khz Vertical:50.00Hz)
H.Resolution		600 TV Lines
Video output level		1.0Vp-p/75 (NTSC: Video 0.714Vp-p Sync 0.286Vp-p / PAL: Video 0.7Vp-p Sync 0.3Vp-p)
S/N Ratio (Y signal)		More than 50dB (AGC Off)
Min. Illumination		0.3 Lux / F1.2(COLOR), 0.1 Lux / F1.2(B/W), 0.002 Lux (Sens-up) , 0 Lux (IR LED On)
COLOR		ON / AUTO
Gain Control		OFF / LOW / MIDDLE / HIGH
White Balance		AWT / AWC / MANUAL / 1800 K 10,500 K
Shutter Speed		AUTO / MANUAL (NTSC : 1/60 1/120,000 sec, PAL : 1/50 1/120,000 sec)
Sens - Up		OFF / AUTO
OSD		Built - In & EXTERNAL TOUCH CONTROL(OPTION)
Motion Detection		ON / OFF (4 Programmable Zone)
DNR		OFF / LOW / MIDDLE / HIGH (Noise Reduction)
Mirror		Built - In (Horizontal Image Inversion)
Privacy Function		ON / OFF (4 Programmable Zone)
Lens	Standard	Vari-Focal 6-50mm Auto DC Iris Lens (STD)
	Option	X
IR LED Visibility Range	Standard	X
	Option	X
CDS Sensor(Approx)		X
Operating Temperature / Humidity		14 F ~ 122 F (-10 C ~ + 50 C) / 10% - 95% RH
Dimensions(WxHxD)		145mm x 100mm x 145mm (5.7" x 3.9" x 5.7")
Weight(Approx.g)		400g / 0.88lbs (Without Stand Type)
Output Cable(Approx.mm)		4 Feet Cable with BNC Female for Video / DC Jack-Male or Wire for Power
Extra Video Terminal		Pitch 2.0mm 2PIN WAFER MOLEX (Inside Terminal NO: 53014-0210 & Outside Terminal NO: 53015-0210)
Extra Video Check Cable(Approx.mm)		2 Feet Cable with BNC Female for Video (MOLEX Terminal Housing NO:51004-2000)